

# Industrial Dry Chemical

## Discharge Adapter Kits



A UTC Fire & Security Company

Effective: March 2007

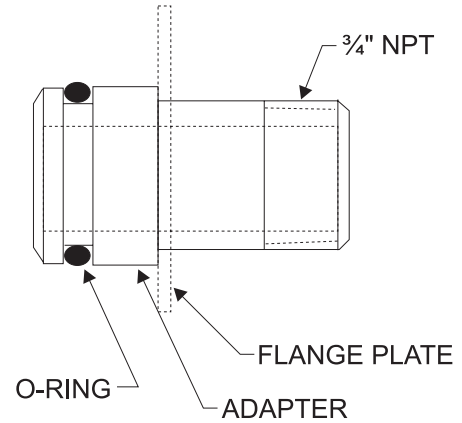
**K-83-003**

**P/N: 844908**

### **DESCRIPTION**

The discharge adapter provides a means to connect 3/4-inch discharge pipe (or 1-inch pipe with a concentric reducer or reducing bushing) to any Industrial Dry Chemical cylinder and valve assembly.

The discharge-adapter kit consists of a male, 3/4-inch NPT, brass, discharge-valve-outlet adapter and a steel flange plate for securing the discharge adapter to the valve outlet.



This literature is provided for informational purposes only. KIDDE-FENWAL, INC. assumes no responsibility for the product's suitability for a particular application. The product must be properly applied to work correctly. If you need more information on this product, or if you have a particular problem or question, contact KIDDE-FENWAL, INC., Ashland, MA 01721. Telephone: (508) 881-2000.